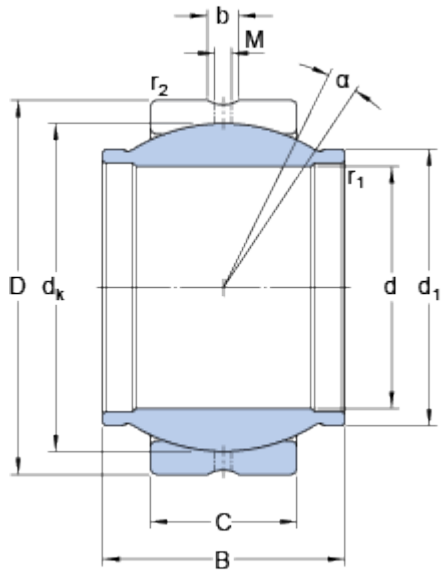


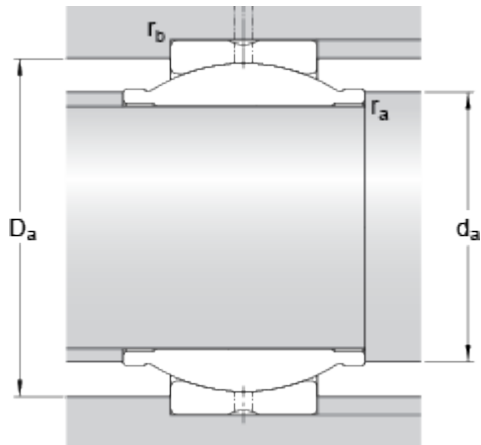
GEG 12 ESA

Dimensions



d		12	mm
D		22	mm
B		12	mm
C		7	mm
a		4	°
d_k		18	mm
d_1	≈	15.5	mm
b		2.3	mm
M		1.5	mm
r_1	min.	0.3	mm
r_2	min.	0.3	mm

Abutment dimensions



d_a	min.	14.5	mm
d_a	max.	15.5	mm
D_a	min.	17.1	mm
D_a	max.	20.4	mm
r_a	max.	0.3	mm
r_b	max.	0.3	mm

Calculation data

Basic dynamic load rating	C	10.8	kN
Basic static load rating	C_0	54	kN
Specific dynamic load factor	K	100	N/mm ²
Specific static load factor	K_0	500	N/mm ²
Material constant	K_M	330	

Mass

Mass plain bearing	0.02	kg
--------------------	------	----

